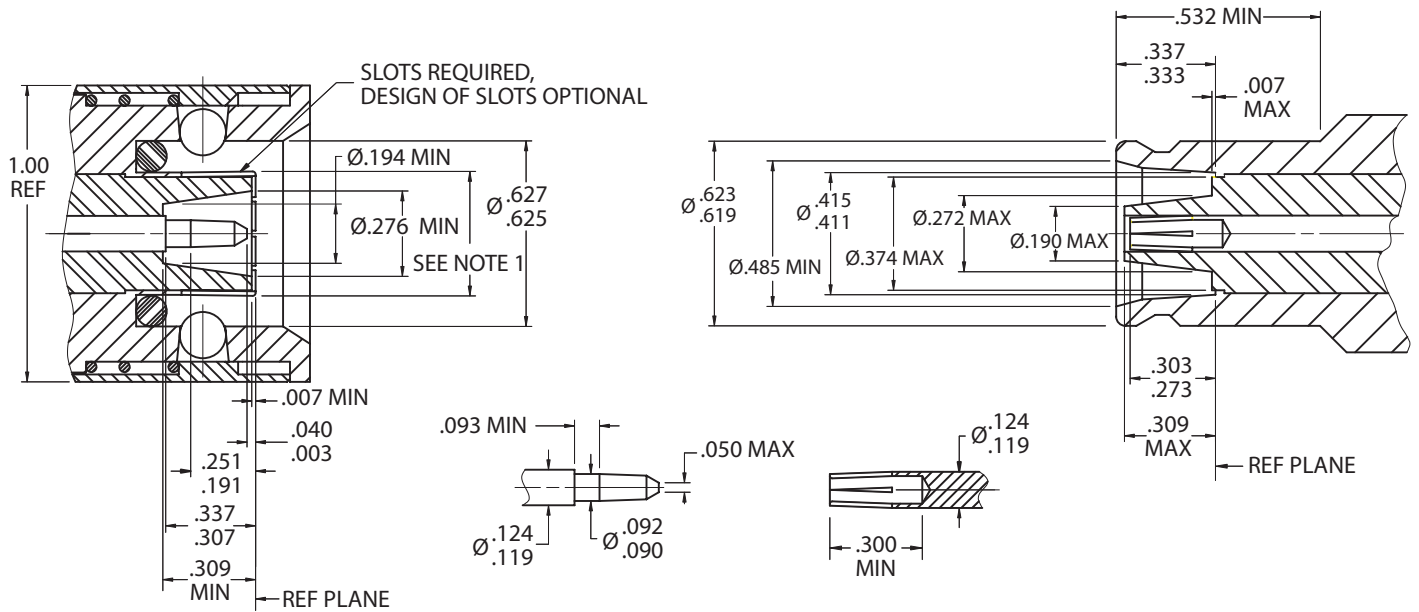




The Power of Creativity™

QDS INTERFACE



Note 1. The ID of contact fingers when inserted into $\varnothing.411$ ID max test ring shall be $\varnothing.377$ min.

ELECTRICAL

Nominal Impedance	50 ohms
Frequency Range	DC to 6 GHz
Voltage Rating	1,000 volts rms
Dielectric Withstanding Voltage	3,000 volts rms

ENVIRONMENTAL

Temperature Rang:	-67°F to +390°F (-55°C to +199°C)
Vibration	
Shock	
Moisture Resistance	
Corrosion (salt spray)	

MECHANICAL

Mating Characteristics	per TRU standards (ref MIL-C-18867A)
Connector Durability	500 cycles min.
Recommended Torque	N/A (Quick-disconnect Push-on)

MATERIALS / FINISHES

Body	Brass, Silver or Nickel Plated
Contacts (Inner)	Female: Beryllium Copper, Silver or Gold Plated Male: Brass, Silver or Gold Plated
Contacts (Outer)	Brass, Silver or Nickel Plated
Contacts (Slotted)	Beryllium Copper, Silver or Nickel Plated
Insulators	Teflon
Gaskets & Seals	Silicone Rubber

TRU Corporation

245 Lynnfield Street, Peabody, MA 01960 1-800-COAX-TRU (1-800-262-9878) www.trucorporation.com